

DATA SHEET

OLH2047/OLH2048/OLH2049: Photo-Transistor Hermetic Optocouplers

Features

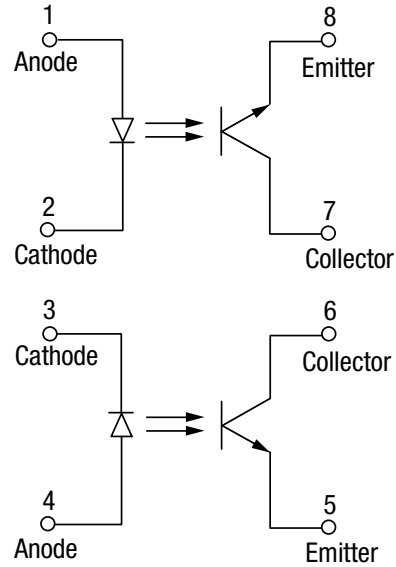
- Current Transfer Ratio (CTR) guaranteed over $-55\text{ }^{\circ}\text{C}$ to $+100\text{ }^{\circ}\text{C}$ ambient temperature range
- 2500 V electrical isolation
- Standard 8-pin DIP configuration
- High CTR at low input current
- Two isolated channels per package
- Offers 100% high-reliability screenings

Description

The OLH2047, OLH2048, and OLH2049 are dual-channel, hermetic 8-pin DIP optocouplers designed especially for high-reliability applications that require optical isolation with high CTR and low saturation V_{CE} .

Each optocoupler channel consists of an LED and N-P-N silicon photo-transistor mounted and coupled in an 8-pin hermetically sealed DIP package. The pinout configuration is similar to MCT6 and ILD1/2/5 plastic optocouplers.

High-reliability screening and special CTR selections are available (contact Isolink for more information).



K023

Figure 1. OLH2047/ OLH2048/ OLH2049 Block Diagram

A functional block diagram is shown in Figure 1. Table 1 provides the OLH2047/OLH2048/OLH2049 absolute maximum ratings and Table 2 provides the electrical specifications.

Figures 2 through 4 illustrate typical performance characteristics of the OLH2047/OLH2048/OLH2049 optocouplers. Figure 5 shows the switching test circuit. Figure 6 provides the package dimensions.

Table 1. OLH2047/48/49 Absolute Maximum Ratings

Parameter	Symbol	Minimum	Maximum	Units
<i>Coupled</i>				
Input to output isolation voltage	V _{DC}	-2500	+2500	V
Storage temperature range	T _{STG}	-65	+150	°C
Operation temperature range	T _A	-55	+125	°C
Lead temperature 1.6 mm from the case for 10 seconds			+240	°C
<i>Input Diode</i>				
Average input current	I _{DD}		40	mA
Peak forward current	I _F		1	A
Reverse voltage	V _R		2	V
Power dissipation	P _D		70	mW
<i>Output Detector</i>				
Collector to emitter voltage	V _{CE}		40	V
Emitter to base voltage	V _{EB}		7	V
Collector to base voltage	V _{CB}		45	V
Continuous collector current			50	mA
Power dissipation (Note 1)	P _D		300	mW

Note 1: Derate linearly at 3.0 mW/°C above 25 °C.

CAUTION: Although this device is designed to be as robust as possible, electrostatic discharge (ESD) can damage this device. This device must be protected at all times from ESD. Static charges may easily produce potentials of several kilovolts on the human body or equipment, which can discharge without detection. Industry-standard ESD precautions should be used at all times.

Table 2. OLH2047/OLH2048/OLH2049 Electrical Specifications (Note 1)
(T_A = 25 °C, Unless Otherwise Noted)

Parameter	Symbol	Test Condition	OLH2047			OLH2048			OLH2049			Units
			Min	Typ	Max	Min	Typ	Max	Min	Typ	Max	
On-state collector current	I _{CC(ON)}	I _F = 1 mA, V _{CE} = 5 V										
		I _F = 2 mA, V _{CE} = 5 V, T _A = -55 °C	0.5			1.0		5.0	2.0		10	mA
		I _F = 2 mA, V _{CE} = 5 V, T _A = +100 °C	0.7			1.4			2.8			mA
			0.5			1.0		2.0			mA	
On-state collector base current	I _{CCB(ON)}	I _F = 10 mA, V _{CB} = 5 V	30			30		30				μA
Saturation voltage	V _{CE_SAT}	I _F = 2 mA, I _{CC} = 0.5 mA			0.3							V
		I _F = 2 mA, I _{CC} = 1.0 mA						0.3				V
		I _F = 2 mA, I _{CC} = 2.0 mA								0.3		V
Breakdown voltage:	BV _{CEO}	I _{CE} = 1 mA	40			40			40			V
		I _{EC} = 100 μA	6			6			6			V
Off-state:	I _{CE(OFF)}	V _{CE} = 20 V			100			100			100	nA
		V _{CE} = 20 V, T _A = 100 °C			100			100			100	μA
Input forward voltage	V _F	I _F = 10 mA, T _A = -55 °C	1.0		1.7	1.0		1.7	1.0		1.7	V
		I _F = 10 mA	0.8		1.5	0.8		1.5	0.8		1.5	V
		I _F = 10 mA, T _A = +100 °C	0.7		1.3	0.7		1.3	0.7		1.3	V
Input reverse current	I _R	V _R = 2 V			100			100			100	μA
Input to output resistance (Note 2)	R _{I_O}	V _{I_O} = ± 1000 V _{DC}	10 ¹¹			10 ¹¹			10 ¹¹			Ω
Input to output capacitance (Note 2)	C _{I_O}	V _{I_O} = 0 V, f = 1 MHz			5			5			5	pF
Rise time	t _R	V _{CC} = 10 V, R _L = 100 Ω		10	20		10	20		15	25	μs
Fall time	t _F	I _F = 5 mA		10	20		10	20		15	25	μs

Note 1: Exposure to maximum rating conditions for extended periods may reduce device reliability. There is no damage to the device with only one parameter set at the limit and all other parameters set at or below their nominal value. Exceeding any of the limits listed here may result in permanent damage to the device.

Note 2: Measured between pins 1, 2, 3, and 4 shorted together, and pins 5, 6, 7, and 8 shorted together. T_A = 25 °C and duration = 1 second.

Typical Performance Characteristics

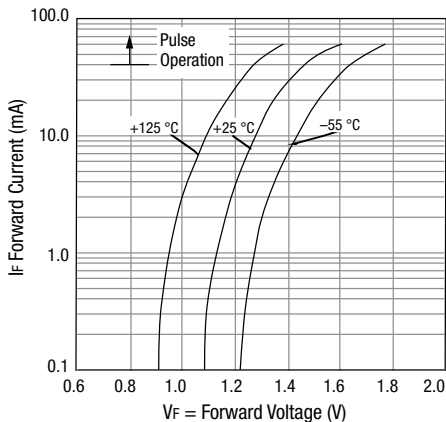


Figure 2. Forward Current vs Diode Forward Voltage

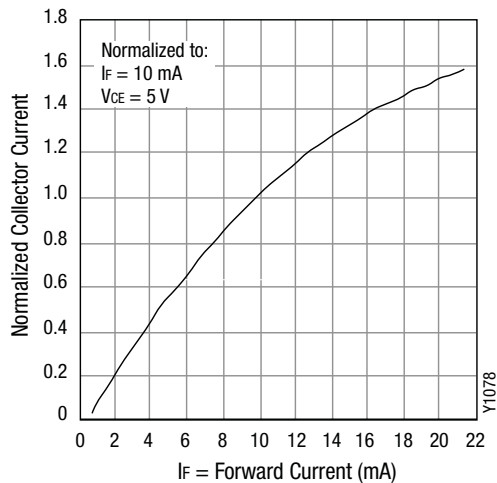


Figure 3. Normalized Collector Current vs Forward Current

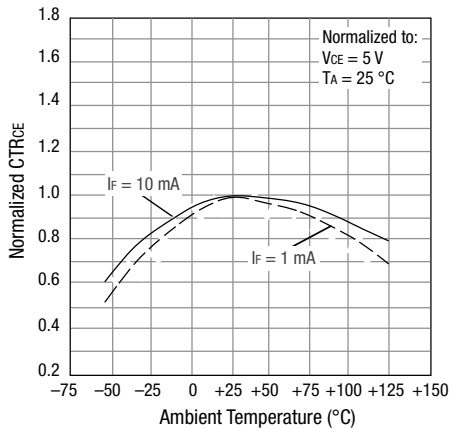


Figure 4. Normalized CTR_{CE} vs Temperature

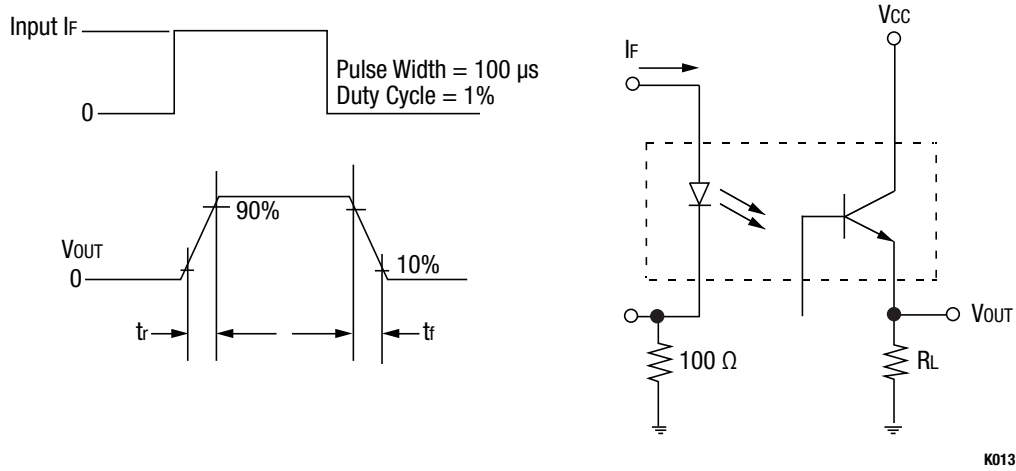
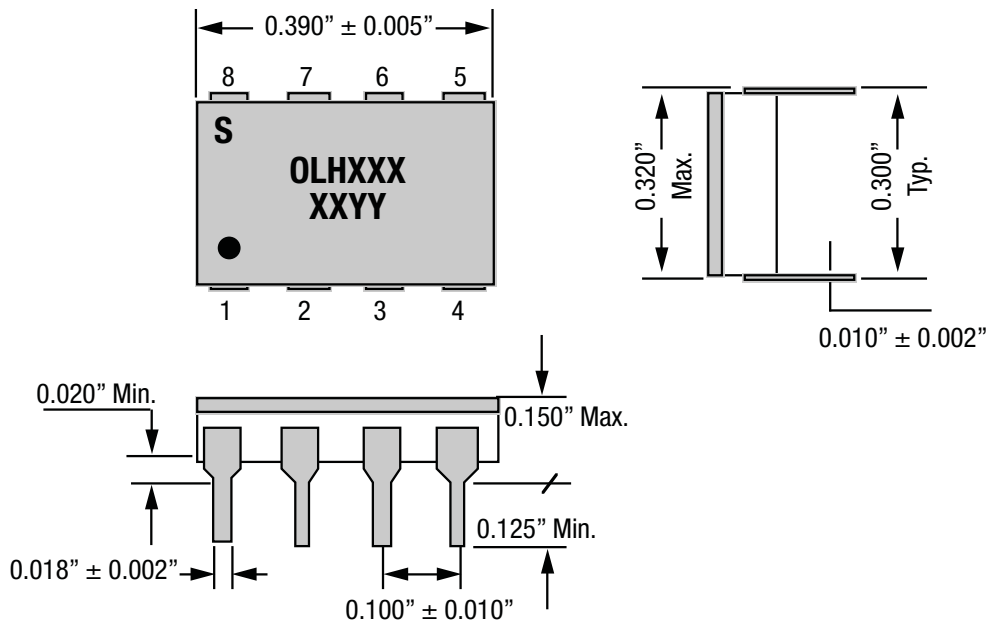


Figure 5. OLH2047/OLH2048/OLH2049 Switching Test Circuit



K021

Figure 6. OLH2047/OLH2048/OLH2049 Package Dimensions

Ordering Information

Model Name	Manufacturing Part Number
OLH2047/OLH2048/OLH2049: Photo-Transistor Hermetic Optocouplers	OLH2047/OLH2048/OLH2049

Copyright © 2012-2014, 2017 Isolink, Inc. All Rights Reserved.

Information in this document is provided in connection with Isolink, Inc. ("Isolink"), a wholly-owned subsidiary of Skyworks Solutions, Inc. These materials, including the information contained herein, are provided by Isolink as a service to its customers and may be used for informational purposes only by the customer. Isolink assumes no responsibility for errors or omissions in these materials or the information contained herein. Isolink may change its documentation, products, services, specifications or product descriptions at any time, without notice. Isolink makes no commitment to update the materials or information and shall have no responsibility whatsoever for conflicts, incompatibilities, or other difficulties arising from any future changes.

No license, whether express, implied, by estoppel or otherwise, is granted to any intellectual property rights by this document. Isolink assumes no liability for any materials, products or information provided hereunder, including the sale, distribution, reproduction or use of Isolink products, information or materials, except as may be provided in Isolink Terms and Conditions of Sale.

THE MATERIALS, PRODUCTS AND INFORMATION ARE PROVIDED "AS IS" WITHOUT WARRANTY OF ANY KIND, WHETHER EXPRESS, IMPLIED, STATUTORY, OR OTHERWISE, INCLUDING FITNESS FOR A PARTICULAR PURPOSE OR USE, MERCHANTABILITY, PERFORMANCE, QUALITY OR NON-INFRINGEMENT OF ANY INTELLECTUAL PROPERTY RIGHT; ALL SUCH WARRANTIES ARE HEREBY EXPRESSLY DISCLAIMED. ISOLINK DOES NOT WARRANT THE ACCURACY OR COMPLETENESS OF THE INFORMATION, TEXT, GRAPHICS OR OTHER ITEMS CONTAINED WITHIN THESE MATERIALS. ISOLINK SHALL NOT BE LIABLE FOR ANY DAMAGES, INCLUDING BUT NOT LIMITED TO ANY SPECIAL, INDIRECT, INCIDENTAL, STATUTORY, OR CONSEQUENTIAL DAMAGES, INCLUDING WITHOUT LIMITATION, LOST REVENUES OR LOST PROFITS THAT MAY RESULT FROM THE USE OF THE MATERIALS OR INFORMATION, WHETHER OR NOT THE RECIPIENT OF MATERIALS HAS BEEN ADVISED OF THE POSSIBILITY OF SUCH DAMAGE.

Isolink products are not intended for use in medical, lifesaving or life-sustaining applications, or other equipment in which the failure of the Isolink products could lead to personal injury, death, physical or environmental damage. Isolink customers using or selling Isolink products for use in such applications do so at their own risk and agree to fully indemnify Isolink for any damages resulting from such improper use or sale.

Customers are responsible for their products and applications using Isolink products, which may deviate from published specifications as a result of design defects, errors, or operation of products outside of published parameters or design specifications. Customers should include design and operating safeguards to minimize these and other risks. Isolink assumes no liability for applications assistance, customer product design, or damage to any equipment resulting from the use of Isolink products outside of stated published specifications or parameters.

Isolink is a trademark of Isolink Inc. in the United States and other countries. Skyworks and the Skyworks symbol are trademarks or registered trademarks of Skyworks Solutions, Inc., in the United States and other countries. Third-party brands and names are for identification purposes only, and are the property of their respective owners.